



TubToday 36x72 OS Acrylic Outward Swind Door Walk-In Bathtub Specifications

Actual Size: 36" x 72" x 39"

• (91.44cm x 182.88cm x 99.06cm)

Shipping Size: 39" x 74" x 49"

• (99.06cm x 187.96cm x 124.46cm) Net Weight: 286lbs • (130kg)

Shipping Weight: 429lbs • (195kg)

Seat Width: 28" • (71.12)

Unoccupied Water Capacity: 145gal • (548.885L)

Occupied Water Capacity: 80-120gal • (302.833 - 454.249L)

Features

1. Acrylic shell gloss white finish fiberglass gelcoat reinforced
2. Stainless steel frame with adjustable leveling legs
3. Plastic composite and tempered glass outward swing door with 3 latch gear & shaft mechanism
4. Removable front apron with two access panels
5. One reversible end panel
6. Stainless steel chrome finish wall-mounted grab bar
7. Two 2" 4-port PVC drains with 2 end caps included, 2 overflows, 2 stainless steel operated openers with extended handles in chrome finish

Jetting & Therapy System

Hydro Massage for Seat Jets

- Hydro Massage Pump 9A 900W
- Intensity Dial Air Control
- 15 Upper Seat Jets
- Controlled by Digital Controller

Hydro Massage for Foot & Calf Jets

- Hydro Massage Pump 7A 900W
- Intensity Dial Air Control
- 4 Foot and 2 Calf Jets
- On/Off Push Control
- In-Line Water Heater - 6A 650W
- Ozone Sterilization - 0.04A

Air Massage

- Air Massage Pump 4.5A 500W
- 3 Speed Pump
- Auto-Purge (activates 20 minutes after pump is turned off)
- 12 Seat Jets 4 Foot Jets
- Controlled by Digital Controller



LED Chromotherapy Light

- Multicolor LED Light Bulb 0.5A
- Transformer
- Controlled by Digital Control Pad

Five-Piece Fast Fill Faucet

- Up to 18GPM @ 60PSI (at ideal in-home plumbing conditions)
- Two 5' Water Supply Lines 3/4"
- Pull out Hand Shower in Chrome Finish with a 5' Retractable Stainless Steel Braided Hose

Optional Features

MicroBubble Therapy System

- 1 HP Pump 7.3A
- Pressure Vessel
- On/Off Push Control
- Agitator Valve

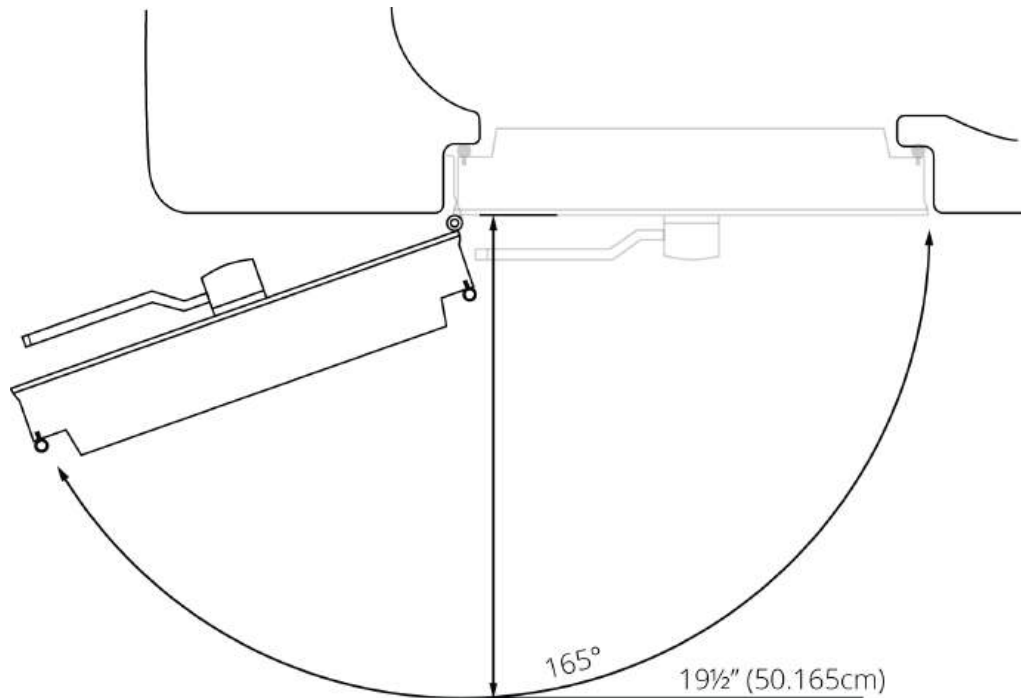
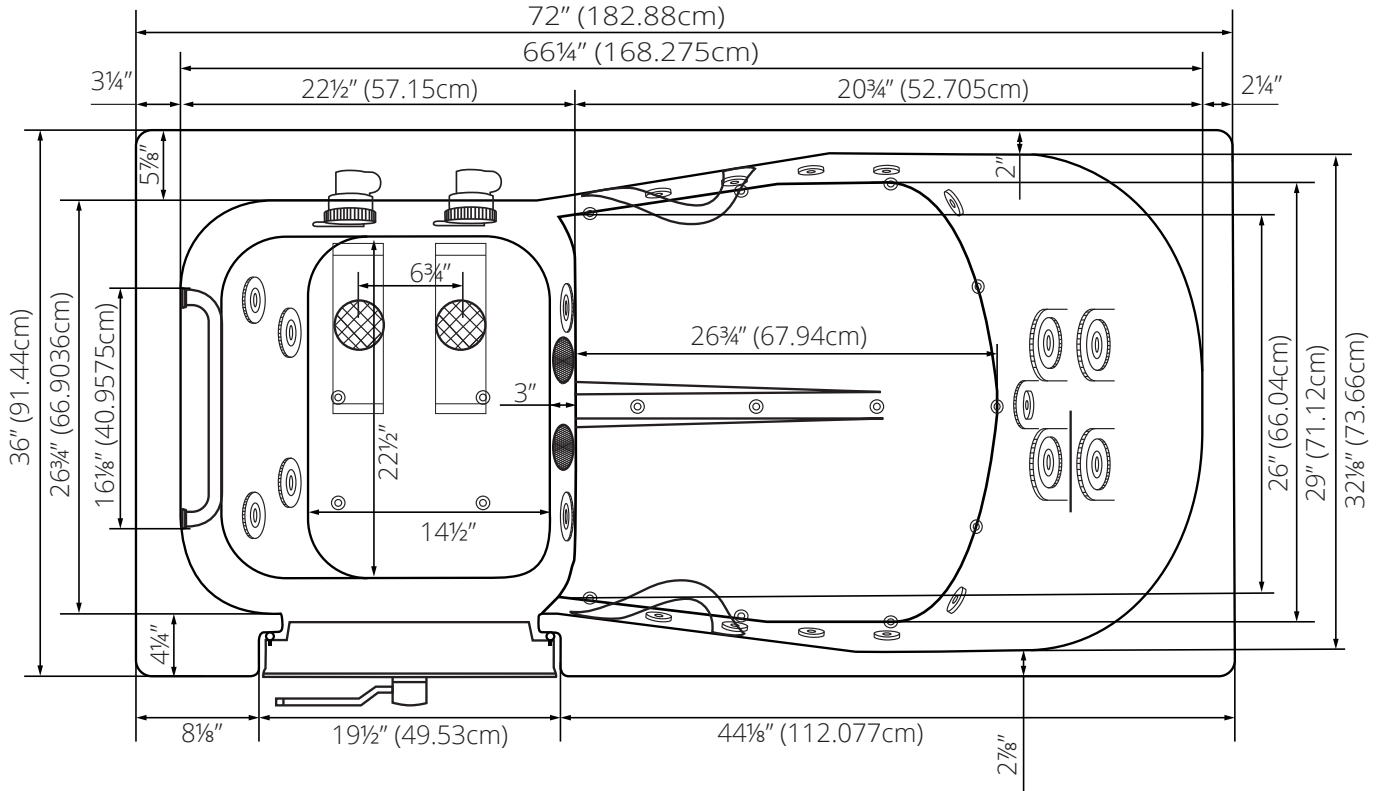
Heated Seat and Backrest

Warranty

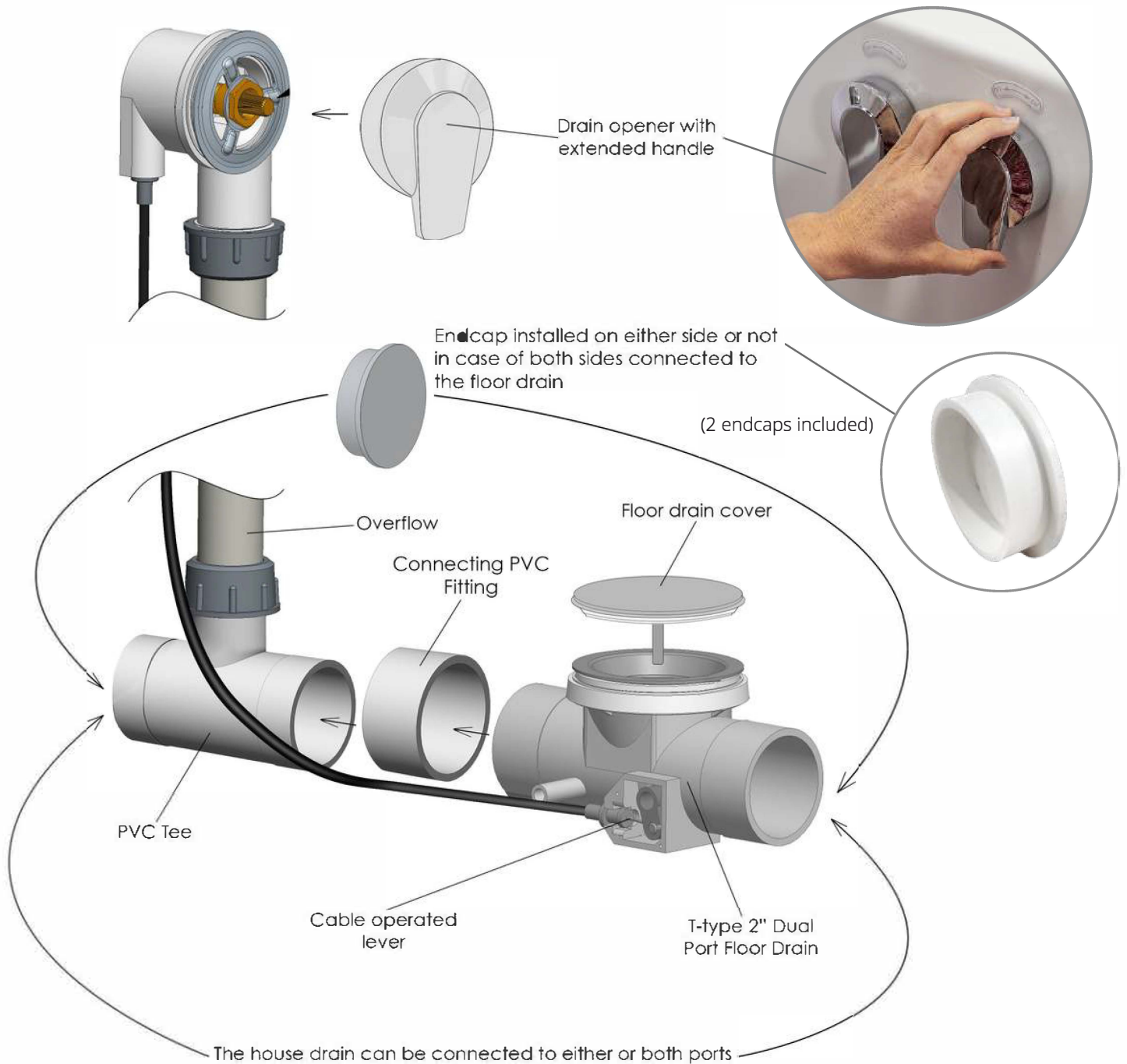
- Lifetime limited* warranty on shell, frame, door, and parts to original purchaser/address
- Labor or installation is not covered - please refer to the Ella warranty certificate

Electrical Requirements

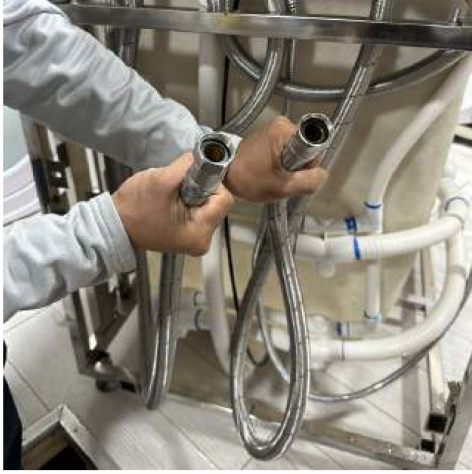
Dedicated GFCI protected electrical line(s) required
115V 60Hz equipment



Dual Drain Technology - Two 2 Inch Independent Floor Drains



Two 3/4" connector water supply lines included with Fast Fill Faucets
Connect to Shut Off Valves (not included)



All electrical fixtures connect to a dedicated GFCI protected outlet or GFCI protected Circuit Breaker.



Images below show examples of PVC pipe connections (not included). Reducers can be used to connect smaller drain pipes.

T-Type four (4) 2" drain ports allow for the drain pipe to be installed in either direction.

Drain Caps Installed On Either Side Of The Drain unused Port.



Description

Solid brass spout in a chrome finish with a 5-setting pull out hand shower mixer with back-flow prevention valve this includes a 5' braided hose.

Two 3/4" 5' braided stainless-steel supply lines are included along with Cold/Hot levers with a diverter for the hand mixer.

Flow

- Hand shower is limited to 1.9 GPM (7.5L/min)
- Faucet fill rate designed for 18 GPM (68.1L/min)

Cartridge

- 40mm high flow cartridge design
- Nonmetallic/nonferrous and stainless-steel material



5 Piece Fast-Fill Faucet Contents

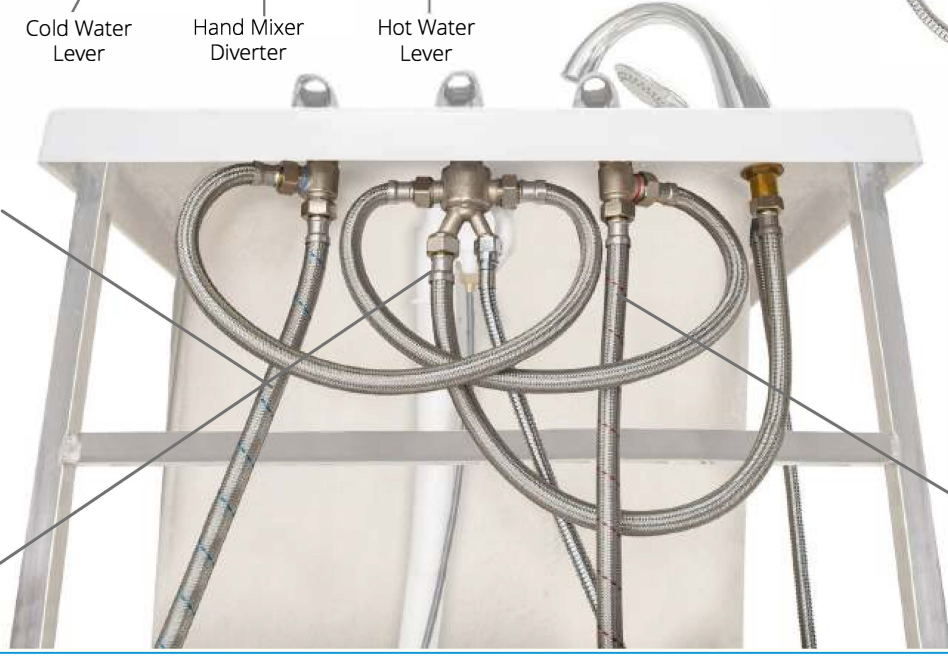


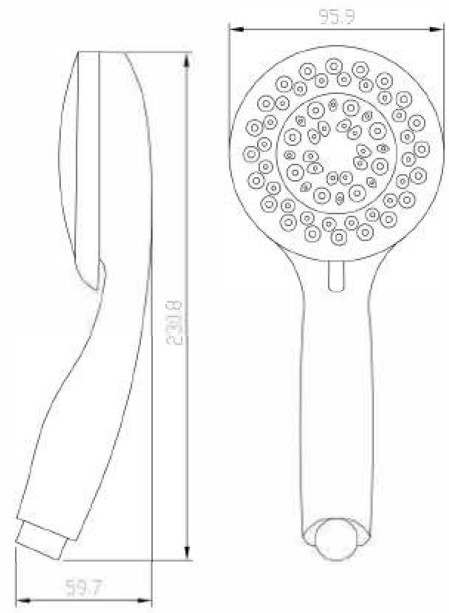
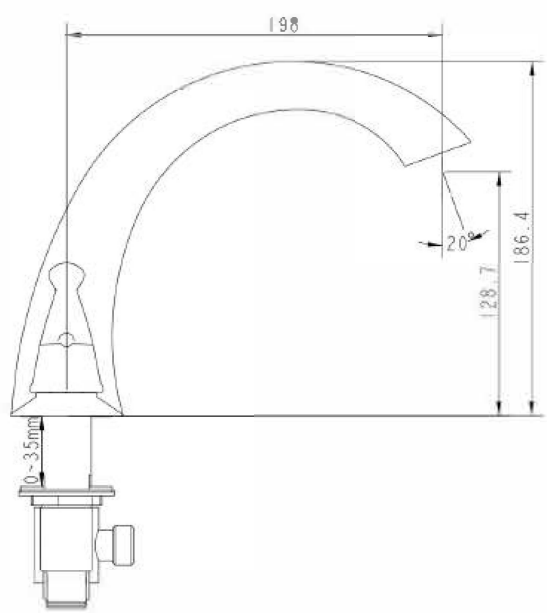
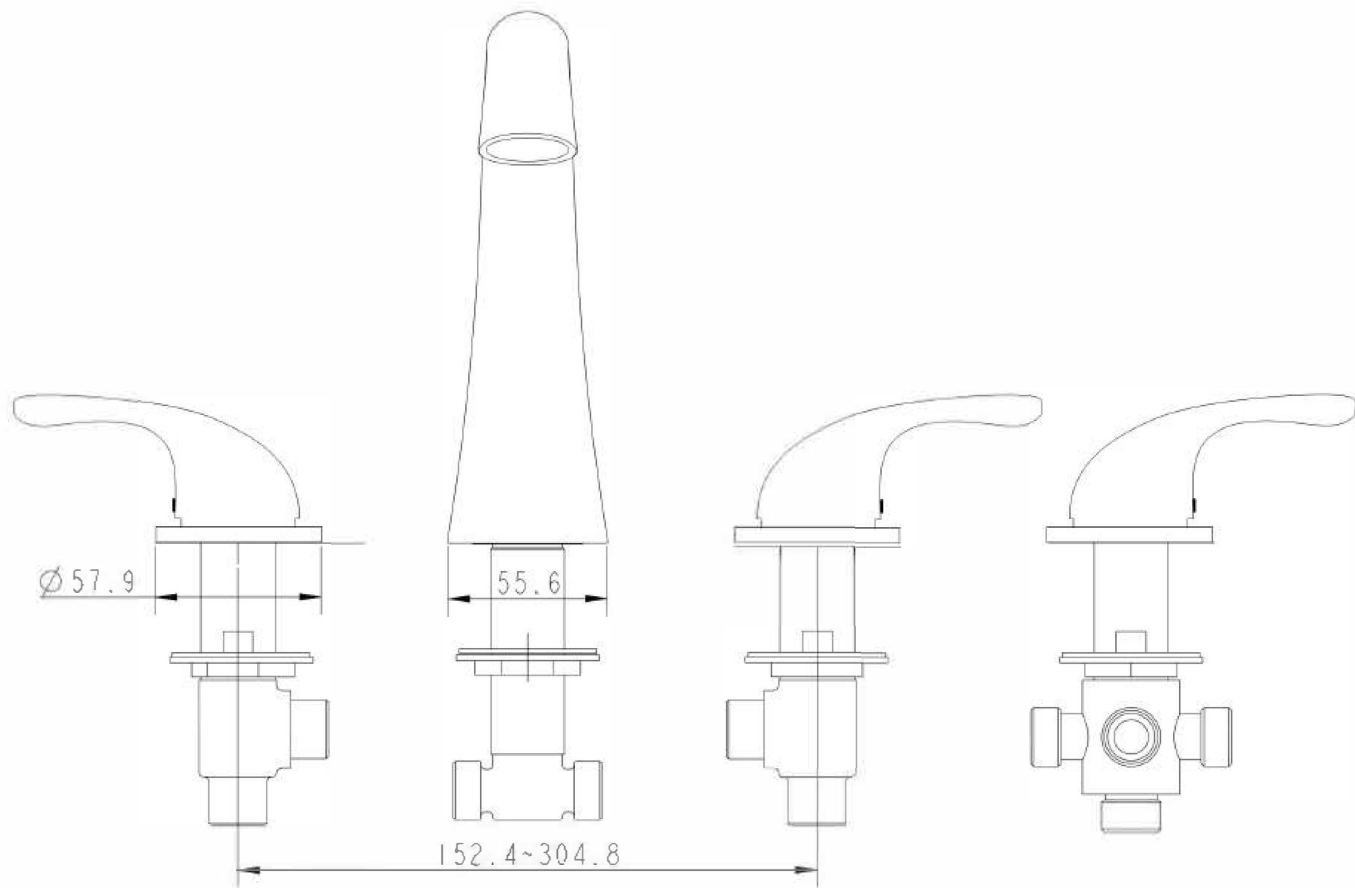
3/4" SPT x 5' Steel Braided Supply Line Connected to the Cold Water Lever

Three 3/4", 20" Steel-Braided Water Lines Connected to HOT/COLD Levers & Diverter

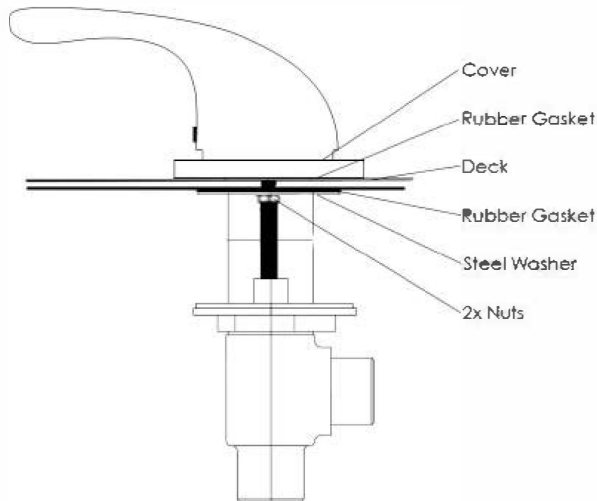
5' Braided Stainless-Steel Hose Connected to the Hand Shower

3/4" SPT x 5' Steel Braided Supply Line Connected to the Hot Water Lever

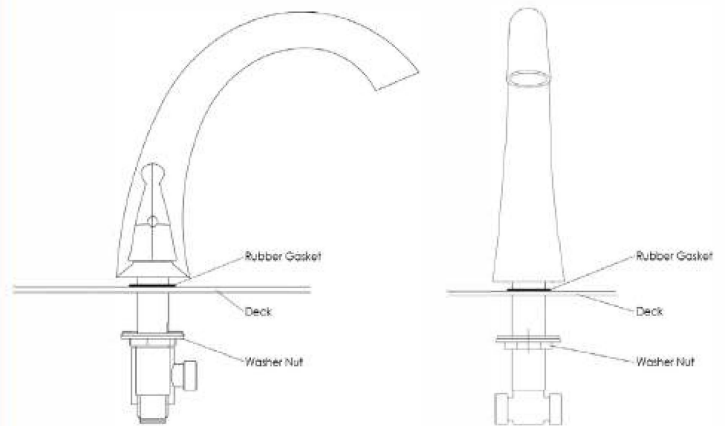




Step-by-step Instructions to install an 5-piece faucet.



1. Unscrew the 2 nuts securing the steel washer and rubber gasket. In this order, remove the steel washer and rubber gasket, place your lever on the deck, replace the rubber gasket and the steel washer. Firmly secure the 2 nuts to hold the fixture in place.



2. Unscrew the washer nut and place the rubber gasket and spout above the deck. After, secure the washer nut from underneath the deck.

3. Remove the plastic nut and insert your hand mixer and hose into your deck opening. Re-secure the plastic nut underneath the deck to hold the hand mixer and housing firmly in place.

4. Connect the supply lines provided with your 2-Piece Fast Fill Faucet to their respective hot and cold connections.

